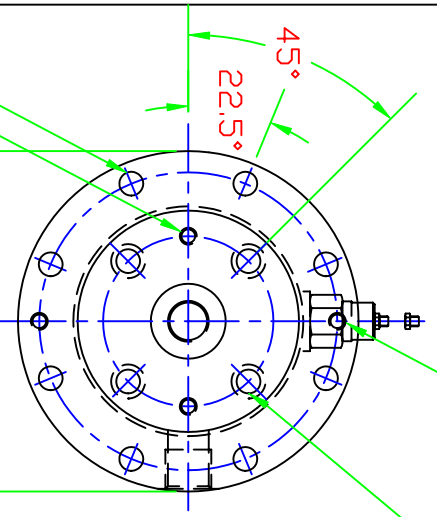


ALL DIMENSIONS IN MILLIMETERS IF IN DOUBT ASK

WORKING PRESSURE - 200 BAR  
TEST PRESSURE - 300 BAR

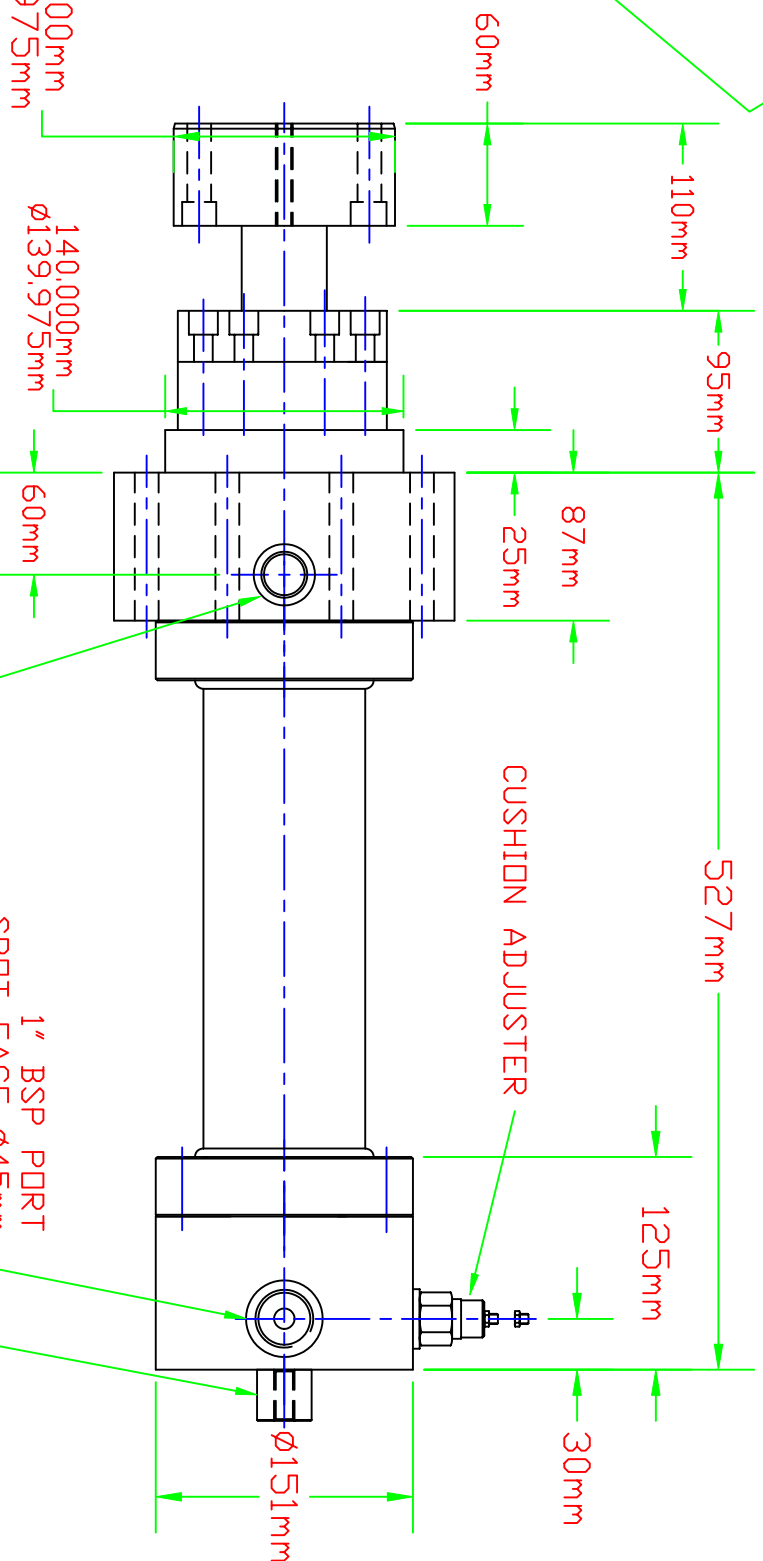
4 HOLES DRILL  $\phi 14\text{mm}$   
THRD' C/BORE  $\phi 20\text{mm} \times 14\text{mm}$  DP  
EQUI-SPACED  
DN A  $\phi 100\text{mm}$  P.C.D.

2 HOLES DRILL & TAP  
M10 THRD' EQUI-SPACED  
DN A  $\phi 175\text{mm}$  P.C.D.



2 HOLES DRILL & TAP  
M10 THRD' EQUI-SPACED  
DN A  $\phi 100\text{mm}$  P.C.D.

8 HOLES DRILL  $\phi 14\text{mm}$   
THRD' EQUI-SPACED  
DN A  $\phi 175\text{mm}$  P.C.D.



3/4" BSP PORT  
 $\phi 36\text{mm}$  SPOT FACE  
TD SUIT 3/4" DOWTY

1" BSP PORT  
SPOT FACE  $\phi 45\text{mm}$   
TD SUIT 1" DOWTY  
M12 LIFTING LUG

DOUBLE ACTING HYDRAULIC CYLINDER  
 $\phi 80\text{mm}$  BORE /  $\phi 95\text{mm}$  D/D HONED BORE TUBE  
 $\phi 50\text{mm}$  NICKROM PLATED ROD  
300mm WORKING STROKE  
FRONT FLANGE CONSTRUCTION  
ADJUSTABLE CUSHIONING FULL BORE ONLY

DO NOT SCALE	REV 1	CUSTOMER/MATERIAL	<b>CHALLENGER HYDRAULICS</b> CHALLENGER HOUSE, SHAW CROSS BUSINESS PARK, DVL LANE, DEVSBURY, WF12 7RF. TEL : 01924-464433 FAX : 01924-456292	JT	DESCRIPTION
REMOVE ALL BURRS AND SHARP EDGES	REV 2			SCALE 1:5	DOUBLE ACTING HYDRAULIC CYLINDER
THIRD ANGLE PROJECTION	REV 3			DATE 29-01-03	DRG No 001068
	REV 4				SHEET 1 OF 1